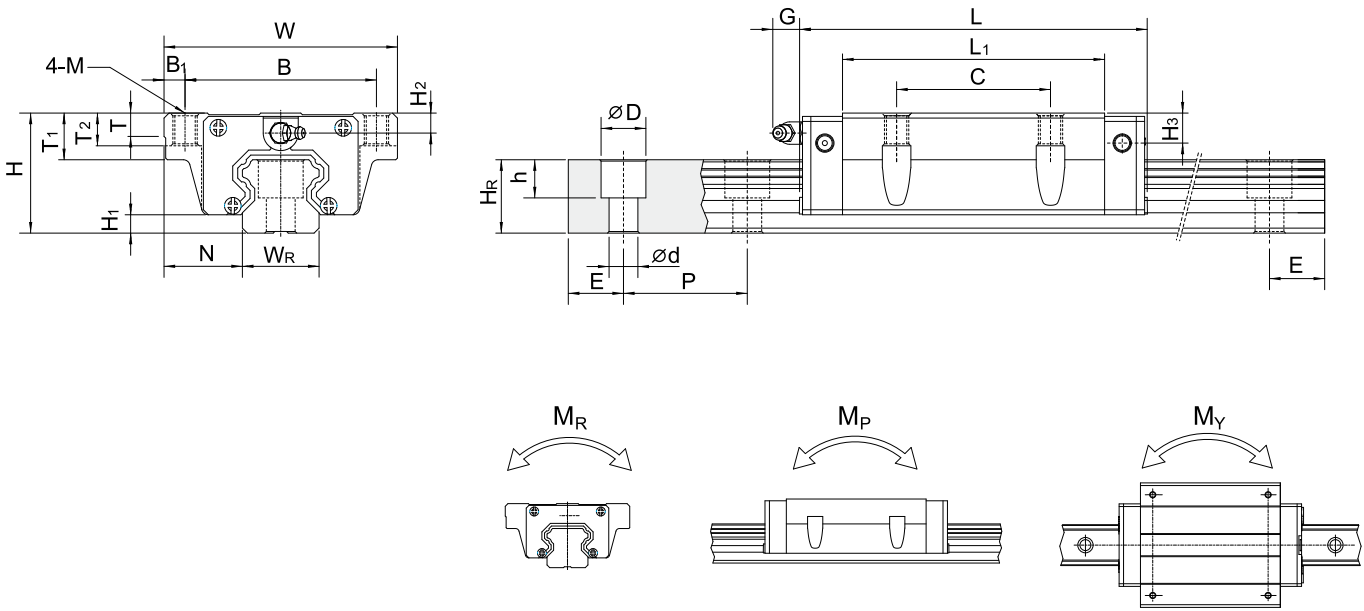


# Linear Guideways

## Q1 Type

### (4) QHW-CC / QHW-HC



| 型号      | 组件尺寸 (mm) |                | 滑块尺寸 (mm) |     |     |                |    |                |       |      |     |      |                |                |                |                |                | 导轨尺寸 (mm)      |     |     |     |     | 导轨的固定螺栓尺寸 (mm) | 基本动额定负荷 C (kN) | 基本静额定负荷 C <sub>0</sub> (kN) | 容许静力矩  |                |                | 重量             |      |       |
|---------|-----------|----------------|-----------|-----|-----|----------------|----|----------------|-------|------|-----|------|----------------|----------------|----------------|----------------|----------------|----------------|-----|-----|-----|-----|----------------|----------------|-----------------------------|--------|----------------|----------------|----------------|------|-------|
|         | H         | H <sub>1</sub> | N         | W   | B   | B <sub>1</sub> | C  | L <sub>1</sub> | L     | G    | M   | T    | T <sub>1</sub> | T <sub>2</sub> | H <sub>2</sub> | H <sub>3</sub> | W <sub>R</sub> | H <sub>R</sub> | D   | h   | d   | P   |                |                |                             | E      | M <sub>R</sub> | M <sub>P</sub> | M <sub>Y</sub> | 滑块   | 导轨    |
|         |           |                |           |     |     |                |    |                |       |      |     |      |                |                |                |                |                |                |     |     |     |     |                |                |                             |        |                |                |                |      |       |
| QHW15CC | 24        | 4              | 16        | 47  | 38  | 4.5            | 30 | 39.4           | 61.4  | 5.3  | M5  | 6    | 8.9            | 6.95           | 4.5            | 5.75           | 15             | 15             | 7.5 | 5.3 | 4.5 | 60  | 20             | M4x16          | 13.88                       | 21.42  | 0.14           | 0.12           | 0.12           | 0.17 | 1.45  |
| QHW20CC | 30        | 4.6            | 21.5      | 63  | 53  | 5              | 40 | 50.5           | 77.5  | 12   | M6  | 8    | 10             | 9.5            | 6              | 7              | 20             | 17.5           | 9.5 | 8.5 | 6   | 60  | 20             | M5x16          | 23.08                       | 34.93  | 0.35           | 0.26           | 0.26           | 0.40 | 2.21  |
| QHW20HC |           |                |           |     |     |                |    | 65.2           | 92.2  |      |     |      |                |                |                |                |                |                |     |     |     |     |                |                |                             |        |                |                |                |      |       |
| QHW25CC | 36        | 5.5            | 23.5      | 70  | 57  | 6.5            | 45 | 58             | 85    | 12   | M8  | 8    | 14             | 10             | 6              | 8.5            | 23             | 22             | 11  | 9   | 7   | 60  | 20             | M6x20          | 31.78                       | 51.87  | 0.59           | 0.48           | 0.48           | 0.59 | 3.21  |
| QHW25HC |           |                |           |     |     |                |    | 78.6           | 105.6 |      |     |      |                |                |                |                |                |                |     |     |     |     |                |                |                             |        |                |                |                |      |       |
| QHW30CC | 42        | 6              | 31        | 90  | 72  | 9              | 52 | 70             | 97.4  | 12   | M10 | 8.5  | 16             | 10             | 6.5            | 6              | 28             | 26             | 14  | 12  | 9   | 80  | 20             | M8x25          | 46.49                       | 76.67  | 0.97           | 0.81           | 0.81           | 1.09 | 4.47  |
| QHW30HC |           |                |           |     |     |                |    | 93             | 120.4 |      |     |      |                |                |                |                |                |                |     |     |     |     |                |                |                             |        |                |                |                |      |       |
| QHW35CC | 48        | 7.5            | 33        | 100 | 82  | 9              | 62 | 80             | 112.4 | 12   | M10 | 10.1 | 18             | 13             | 9              | 6.5            | 34             | 29             | 14  | 12  | 9   | 80  | 30             | M8x25          | 60.52                       | 94.96  | 1.60           | 1.13           | 1.13           | 1.56 | 6.30  |
| QHW35HC |           |                |           |     |     |                |    | 105.8          | 138.2 |      |     |      |                |                |                |                |                |                |     |     |     |     |                |                |                             |        |                |                |                |      |       |
| QHW45CC | 60        | 9.2            | 37.5      | 120 | 100 | 10             | 80 | 97             | 139.4 | 12.9 | M12 | 15.1 | 22             | 15             | 8.5            | 20.5           | 45             | 38             | 20  | 17  | 14  | 105 | 22.5           | M12x35         | 89.21                       | 143.93 | 2.78           | 2.09           | 2.09           | 2.79 | 10.41 |

注：1 kgf = 9.81 N