



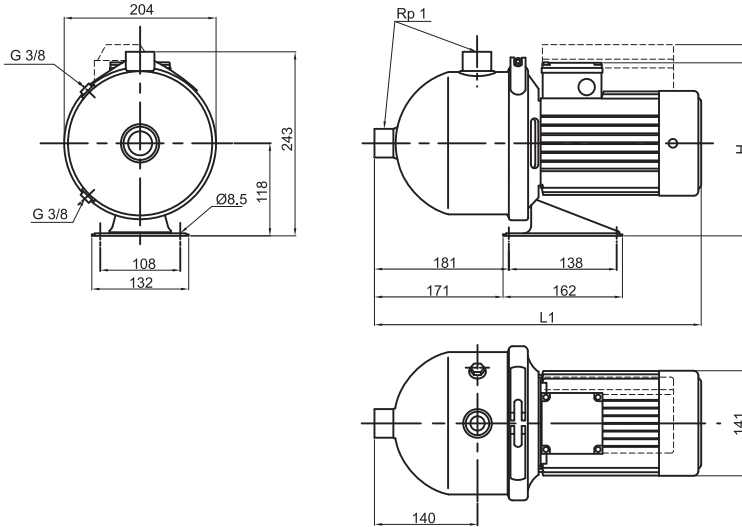
STAIRS PUMPS

技術數據

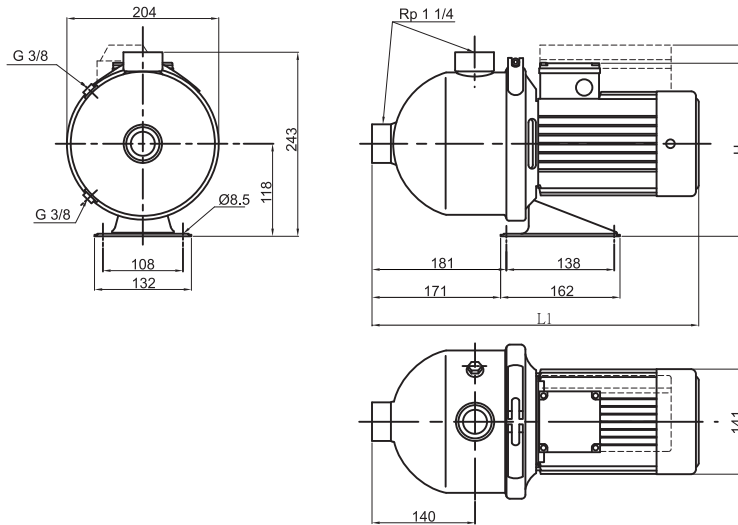
HBI, HBN

尺寸與重量 50Hz

HBI(N)-2



HBI(N)-4



泵浦型式	Dimension (mm)				Net Weight (kg)
	1-Phase		3-Phase		
	L1	H	L1	H	
HBI/HBN 2-20	403	255	403	233	9.6
HBI/HBN 2-30	403	255	403	233	9.9
HBI/HBN 2-40	403	255	403	233	10.1
HBI/HBN 2-50	403	255	403	233	10.8
HBI/HBN 2-60	403	255	403	233	11.0
HBI/HBN 4-20	403	255	403	233	9.6
HBI/HBN 4-30	403	255	403	233	9.9
HBI/HBN 4-40	403	255	403	233	10.6
HBI/HBN 4-50	441	255	441	233	12.1
HBI/HBN 4-60	441	255	441	233	12.3